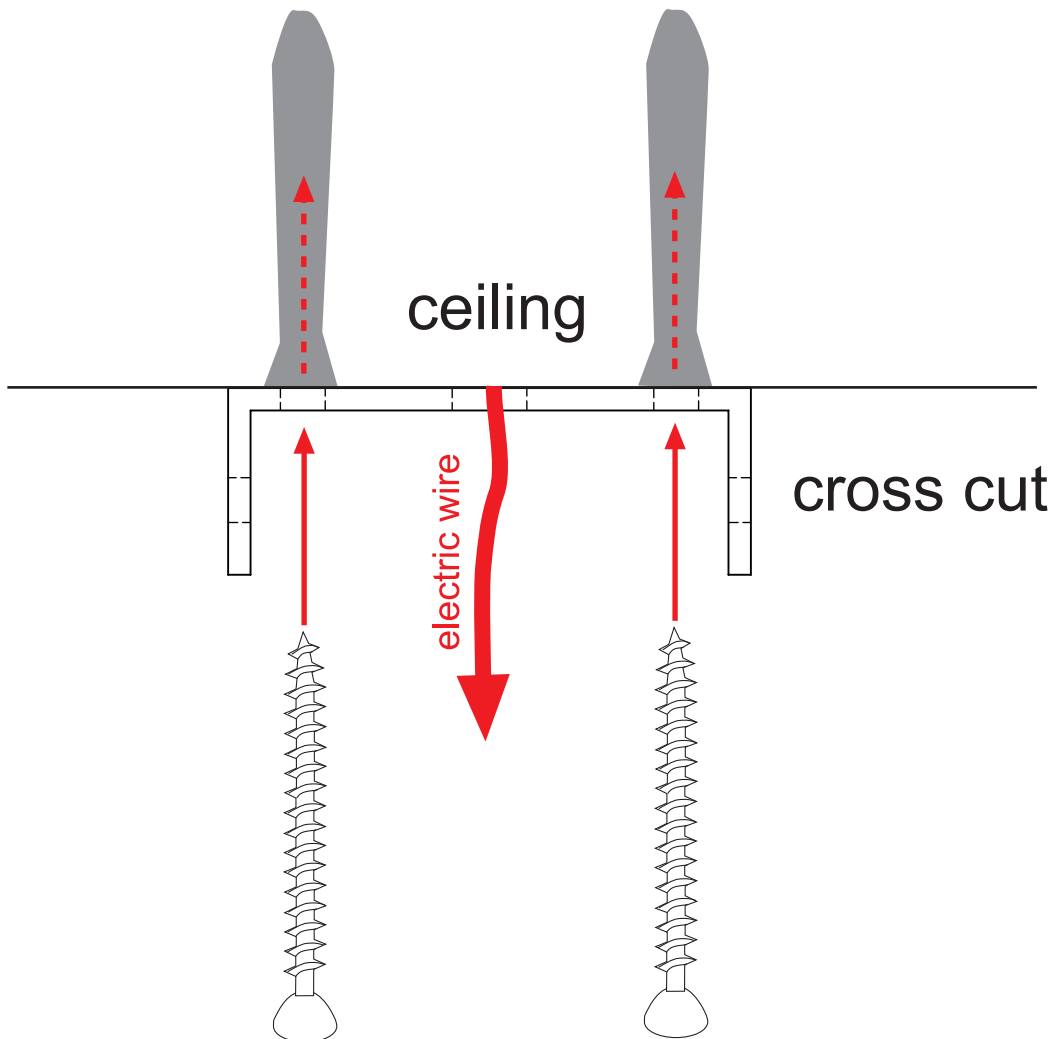
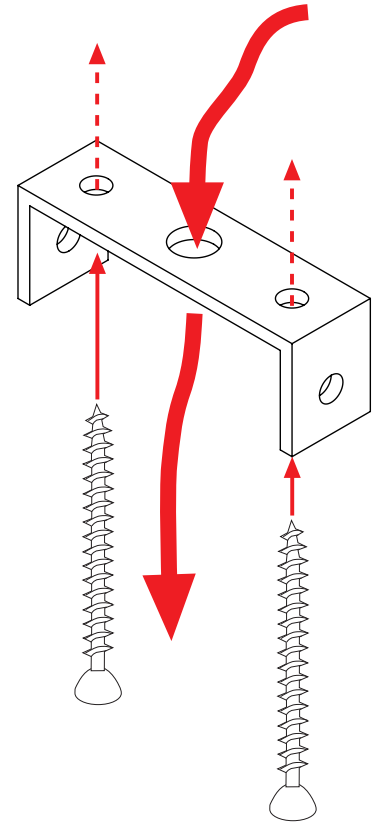


01

Fix the “C” shape component to the ceiling using screws and anchors.

Note that we don't provide this screws and anchors, since different ceilings require different fixings.

Make sure you choose the the most appropriate having in mind that the Octopus lamp 224S weight 3Kg and the 224D weight 4Kg.



02

Once you have the “C” shape component well fixed to the ceiling and the electric wire connected. Locate the holes at the “C” shape component with the holes on the top side of the lamp and fix with both screws provided.

